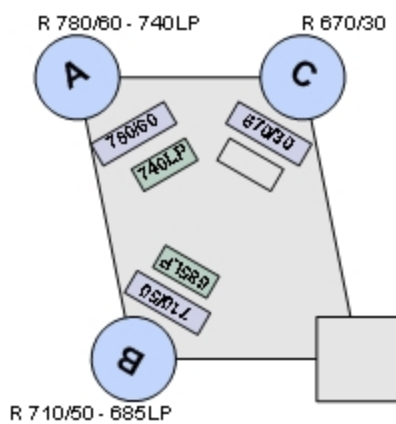


# No UV LSE

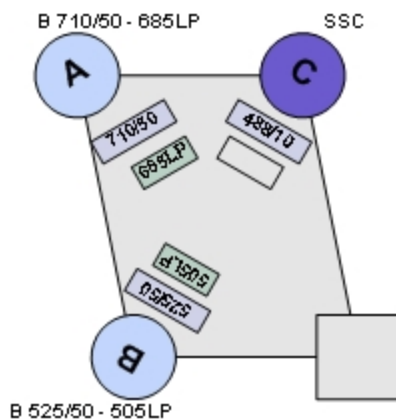
Cytometer: LSRII  
Cytometer Name: LSRII  
Serial Number: H47100221  
Input Device: Manual  
Window Extension: 10.00

User: Administrator  
Institution: Weizmann  
Software: BD FACSDiva 8.0.1  
Date: 10/27/2024 2:03:25 PM

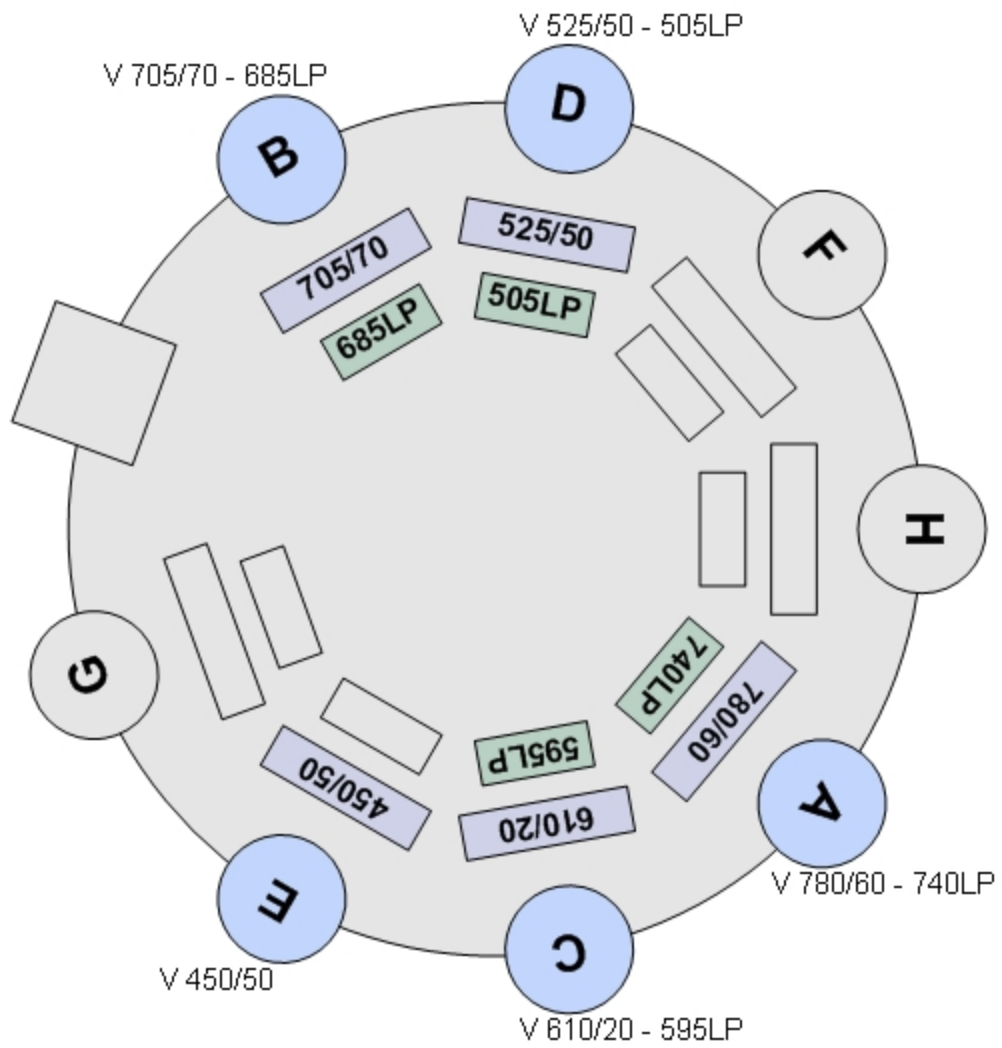
## Red Laser (633nm)



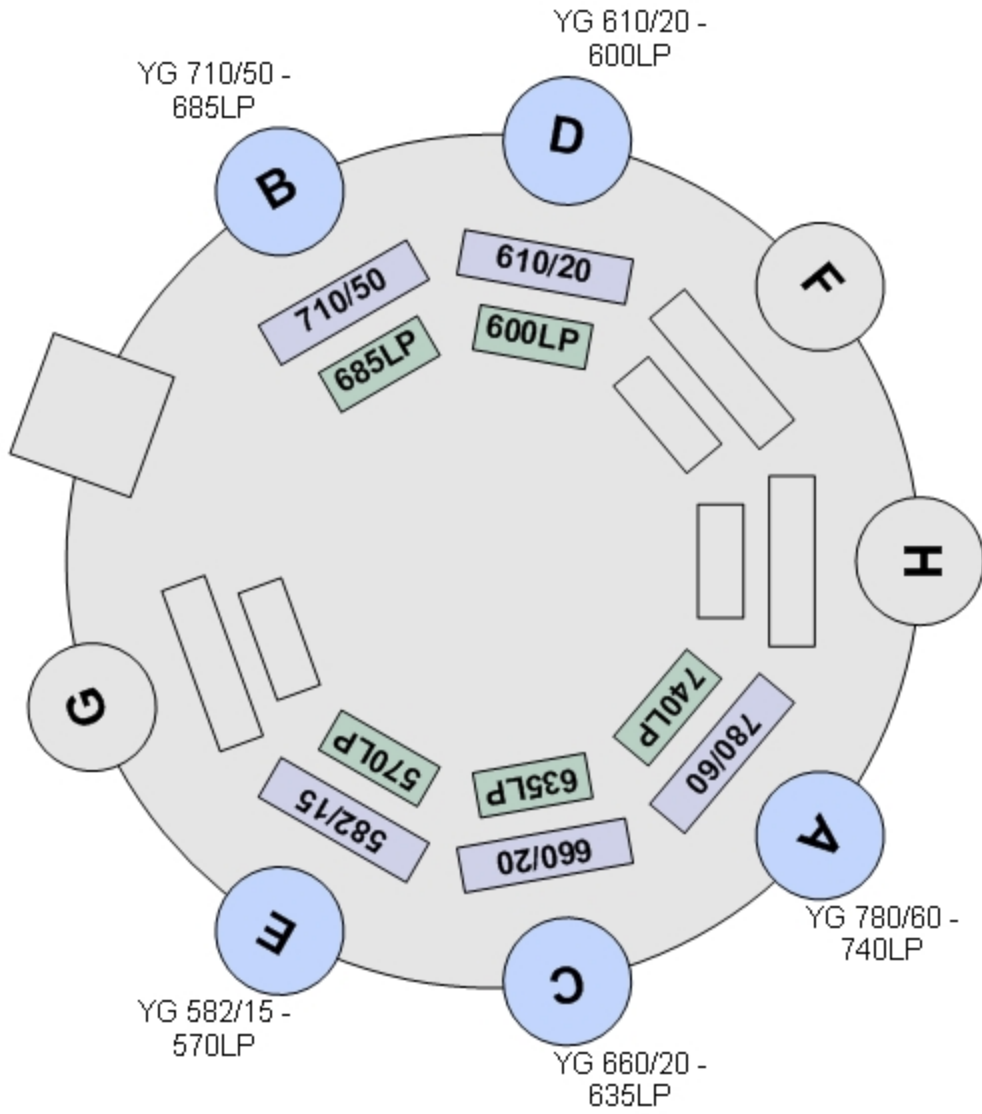
## Blue Laser (488nm) FSC



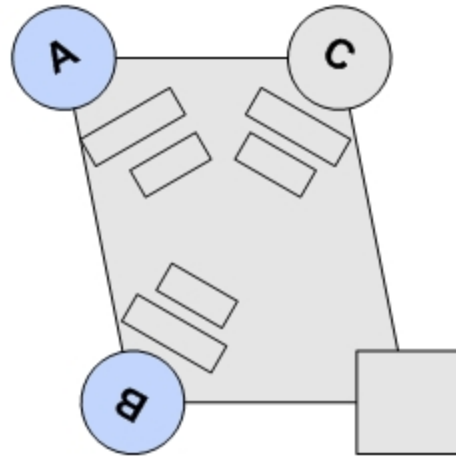
Violet Laser  
(405nm)



Yellow Laser  
(561nm)



UV 355 Laser  
(355nm)



Comments: